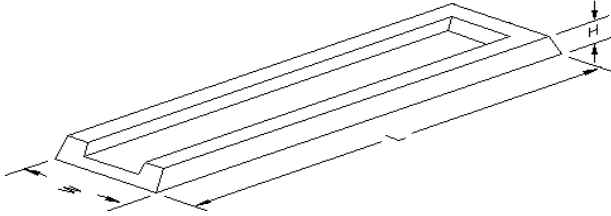


**Splash Blocks**



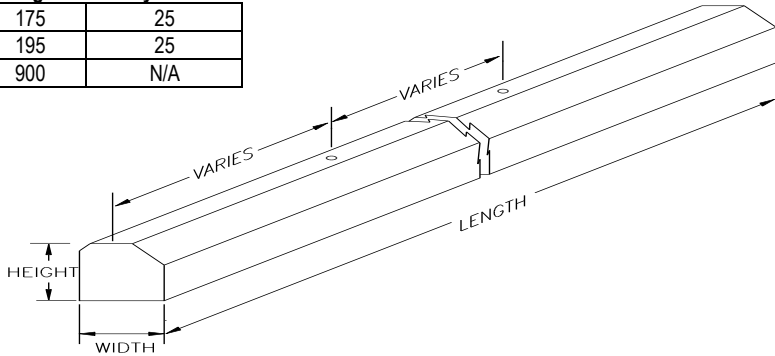
Model (Length)	Width	Weight	Qty/Pallet
36" splash block	10"	53	20
48" splash block	12"	85	10
60" splash block	12"	105	10
72" splash block	12"	135	10

All splash blocks are rebar reinforced and are 3" in height.

**Wheel Stops**

	Length	Width	Height	Weight	Qty/Pallet
Standard	6'	6"	6"	175	25
Low Profile	6'	8 1/2"	5"	195	25
Truck/RV	8'	12"	10"	900	N/A

- Options
- PINS (set)
  - INSTALLATION
  - EPOXY
  - WEATHER SEAL
  - COLOR

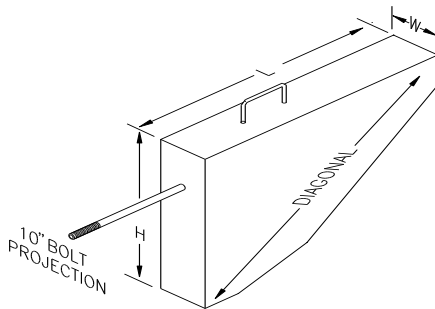


**Haunches**

Model (Length)	Dimensions (Diagonal x Height x Width)	Weight
24" Haunch	26" x 15" x 4" with 5/8" x 14" bolt**	60
36" Haunch	44" x 15" x 4" with 3/4" x 18" bolt	100

Concrete Haunches are equipped with one 5/8" or 3/4" diameter bolt with a 10" projection with a 2" thread and includes nut and 4" x 4" back plate. Each unit has a 6" #3 rebar looped handle.

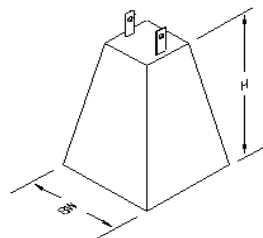
Haunches with an extended bolt projection to accommodate 10" and 12" foundation walls can be manufactured upon request.



**Piers**

Base (Sq.)	Height	Weight	Qty/Pallet
12"	12"	75	varies
12"	16"	130	varies
16"	16"	185	varies

Top surface of all piers is 6" square.



**Pads**

Length	Width	Thickness	Weight
24"	24"	2"	95
24"	24"	3"	140
26"	22"	3"	125
27"	27"	5"	295
27"	37"	4"	325

Length	Width	Thickness
29"	42"	2"
36"	36"	3"
** 43"	47"	6"
70"	72"	6"
72"	78"	6"

All pads are reinforced with rebar and have been built to normal specifications to support furnace, air conditioning, and other equipment.

\*\*This pad is available with a rectangular hole making it suitable for use as a single phase transformer pad